

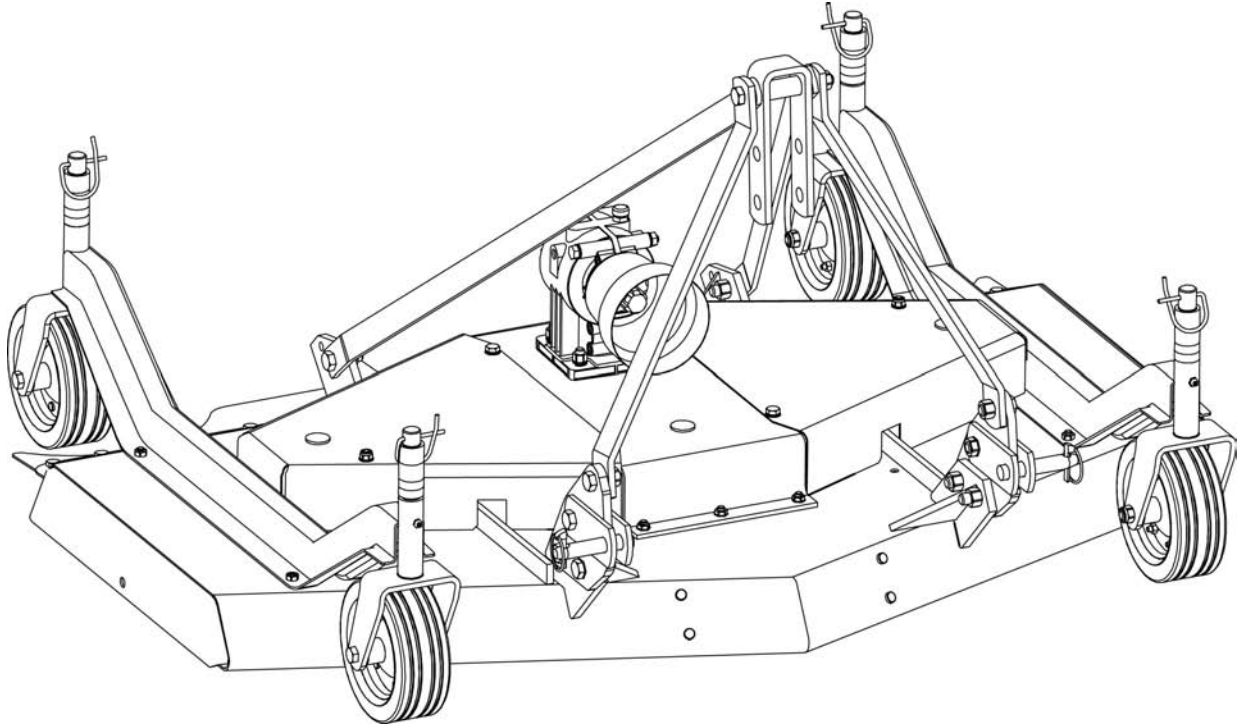
BEFCO®

Parts Manual

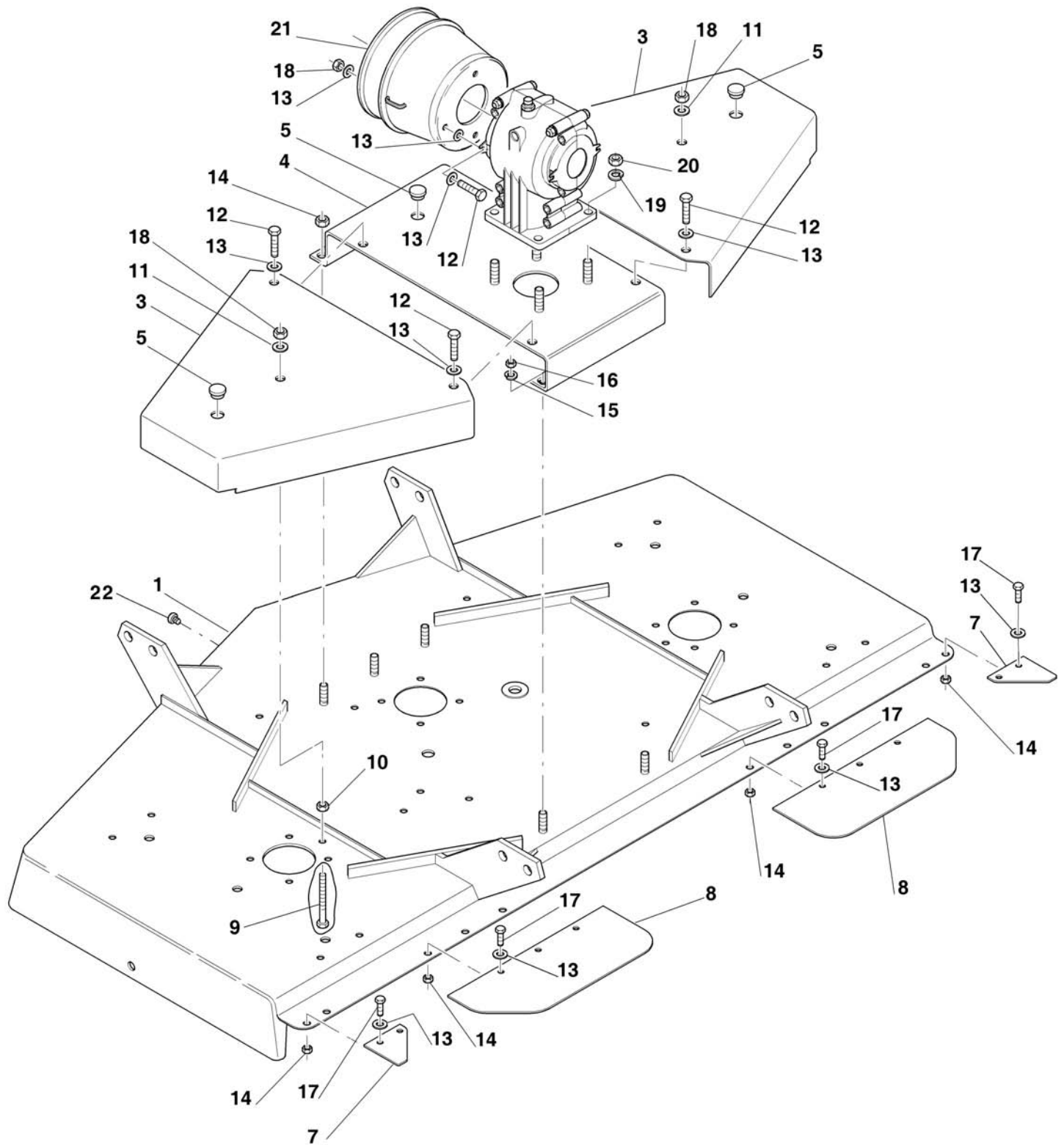
CYCLONE

Three Spindle Grooming Mower

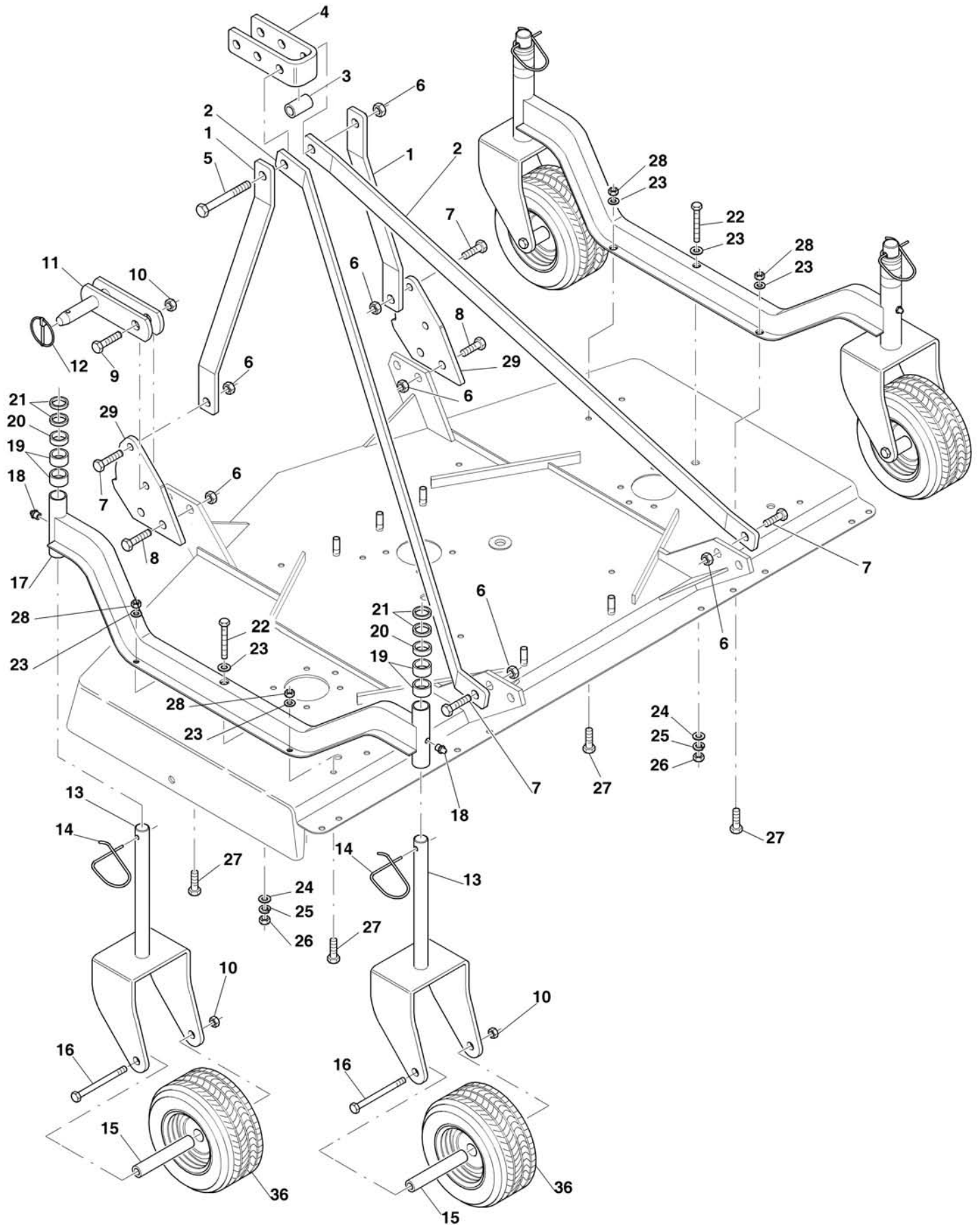
C30-RD4, C30-RD5, C30-RD6



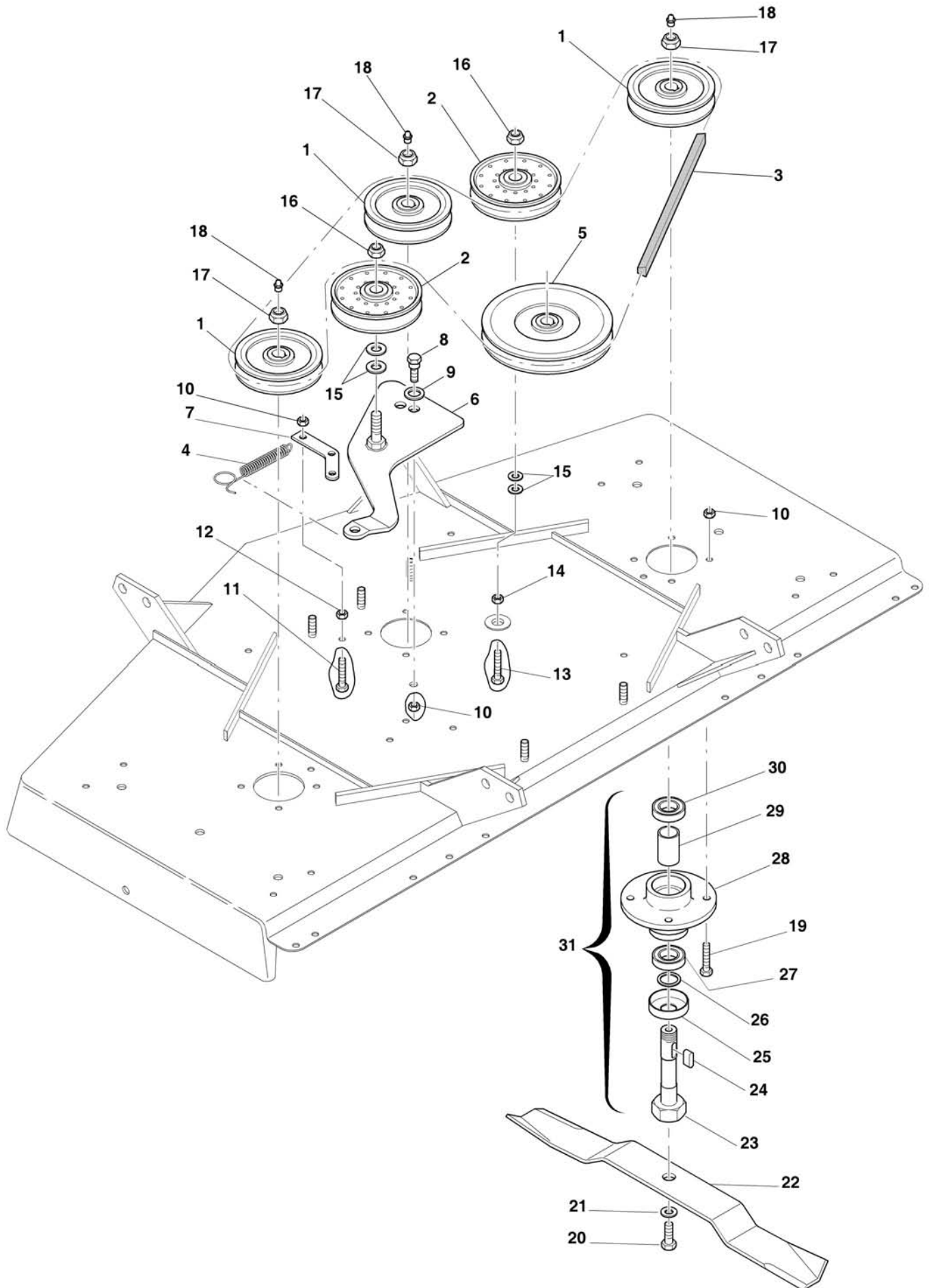
**Manual 972-173B
May 2018**



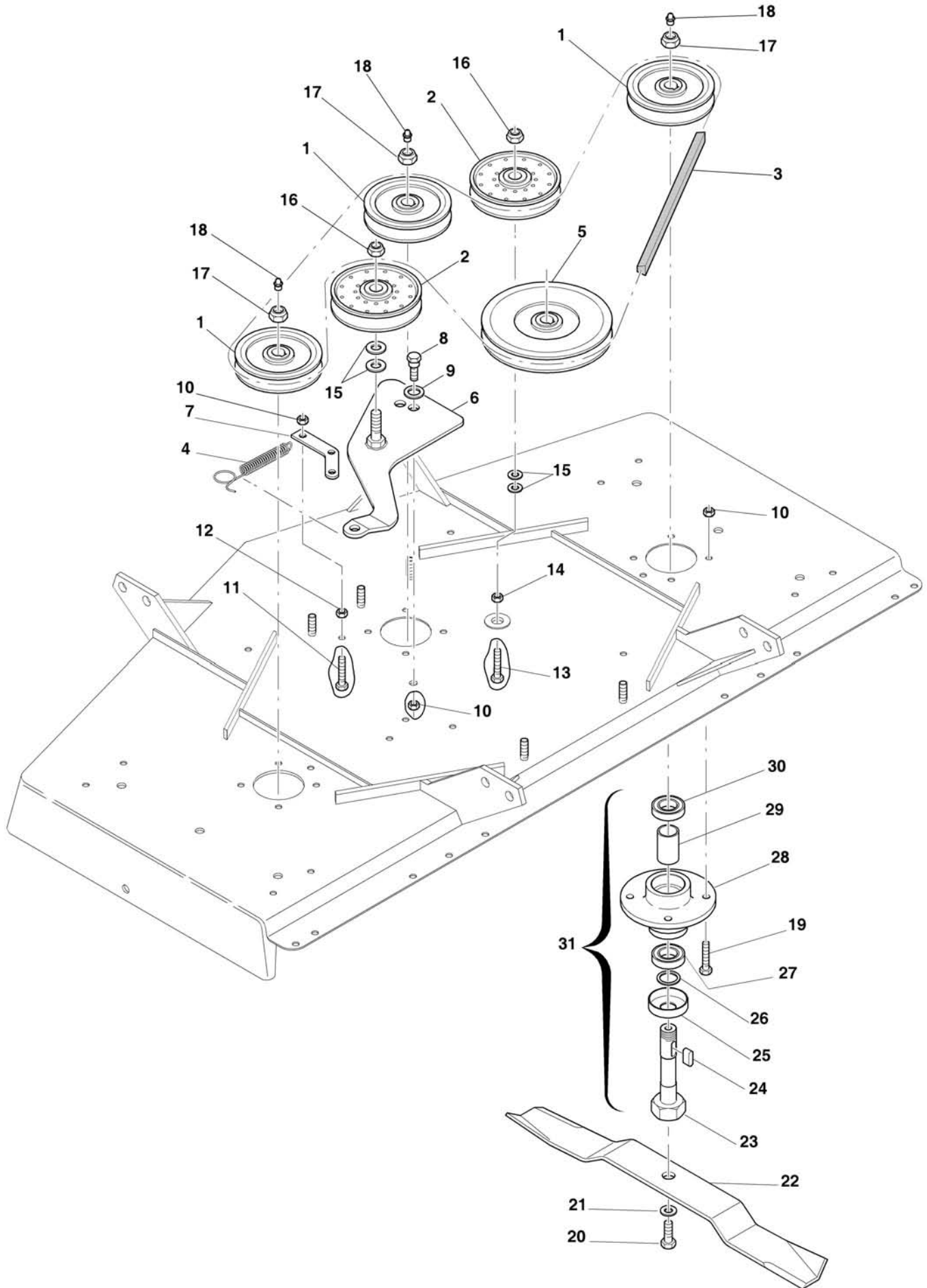
Ref.	Part #	Description	Qty.
1	010-8740	Frame 48" rear discharge; C30-RD4 Ver. C & below	1
	015-1501P	Frame 48" rear discharge; C30-RD4 Ver. D & above	1
	020-8740	Frame 60" rear discharge; C30-RD5 Ver. C & below	1
	025-1501P	Frame 60" rear discharge; C30-RD5 Ver. D & above	1
	030-8740	Frame 72" rear discharge; C30-RD6 Ver. C & below	1
	035-1501P	Frame 72" rear discharge; C30-RD6 Ver. D & above	1
3	010-8811	Belt shield 48"; C30-RD4; First version only	2
	010-8817	Belt shield 48"; C30-RD4; Ver. A & above	2
	020-8811	Belt shield 60"; C30-RD5; First version only	2
	020-8817	Belt shield 60"; C30-RD5; Ver. A & above	2
	030-8811	Belt shield 72"; C30-RD6; First version only	2
	030-8817	Belt shield 72"; C30-RD6; Ver. A & above	2
4	005-1581	Central plate 48"; C30-RD4	1
	005-1583	Central plate 60"; C30-RD5	1
	005-1585	Central plate 72"; C30-RD6	1
5	000-6647	Cap	3
7	005-1858	Rear protection 60", outer; C30-RD5	2
	005-1859	Rear protection 72", outer; C30-RD6	2
8	005-1856	Rear protection 48"-72", inner; C30-RD4, RD5, RD6	2
9	000-8818	Bolt HH M10-1.50x110 C8.8 Z F	2
10	001-4106	Nut ES M10-1.50 Z TK	2
11	003-0157	Washer fender Ø10 Z	2
12	003-3176	Bolt HH M10-1.50x25 C8.8 Z F	4
13	000-2034	Washer flat Ø10 W	-
14	003-0156	Nut PT M10-1.50 C6 TK Z	-
15	000-1280	Washer lock Ø10 Z	2
16	000-1279	Nut HH M10-1.50 C6 TK Z	2
17	000-6349	Bolt HH M10-1.50x20 C8.8 Z F	-
18	001-5237	Nut ES M10-1.50 Z TN	4
19	000-1077	Washer lock Ø12 Z	4
20	000-3038	Nut HH M12-1.75 C6 Z TK	4
21	000-8663	Protection, shaft; #320236 & above	1
22	005-1570	Cap	4



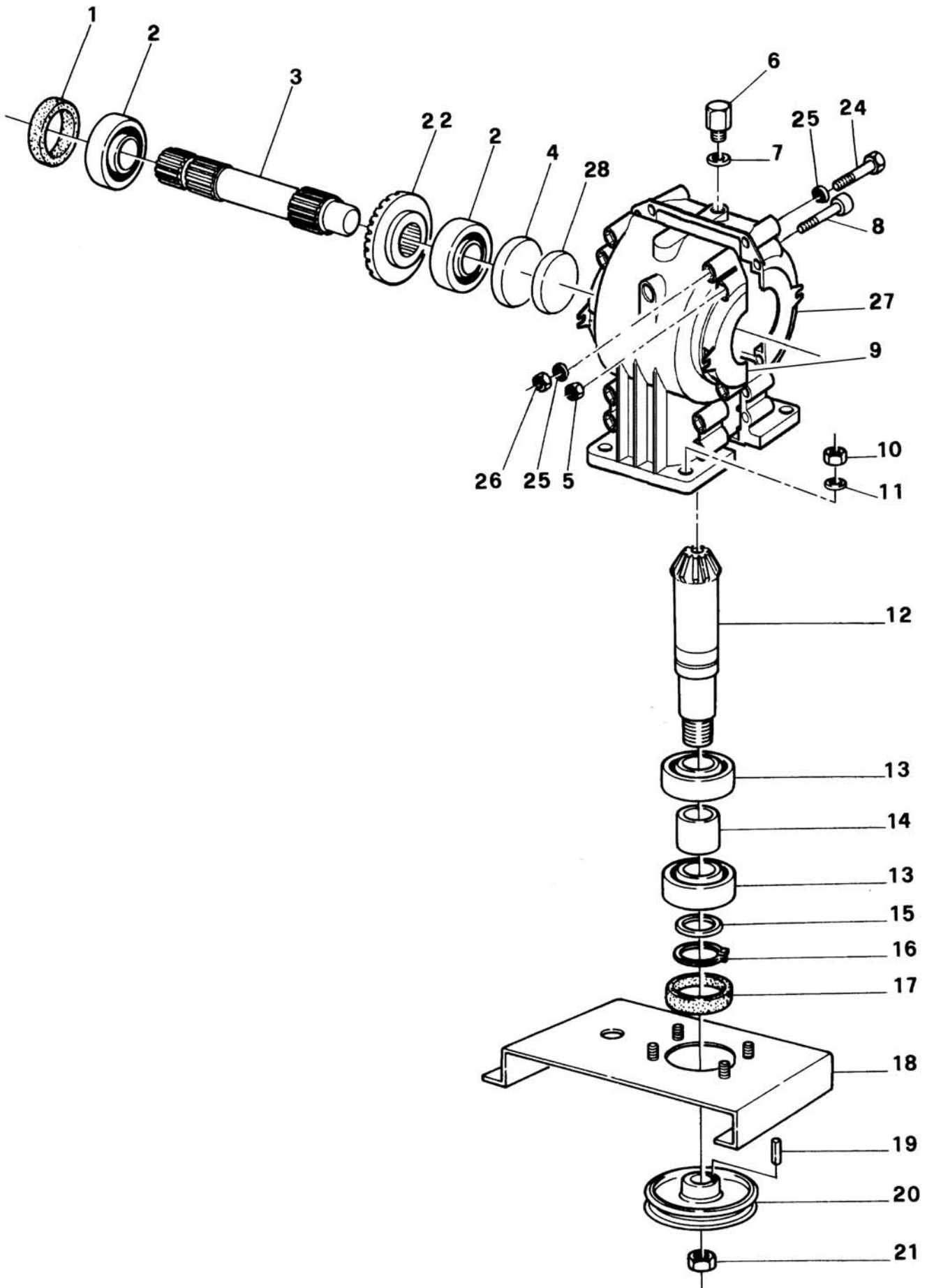
Ref.	Part #	Description	Qty.
1	000-8823	Top hitch support 48"-72"; Ver. C & below	2
	005-6511	Top hitch support 48"-72"; Ver. D & above	2
2	010-8832	Top hitch arm 48"; C30-RD4; Ver. C & below	2
	015-6521	Top hitch arm 48"; C30-RD4; Ver. D & above	2
	020-8832	Top hitch arm 60"; C30-RD5; Ver. C & below	2
	025-6521	Top hitch arm 60"; C30-RD5; Ver. D & above	2
	030-8832	Top hitch arm 72"; C30-RD6; Ver. C & below	2
	035-6521	Top hitch arm 72"; C30-RD6; Ver. D & above	2
3	008-5057	Spacer Ø26.9x4x88 mm.; until 12/1996	1
	000-6829	Spacer Ø26.9x4x79 mm.; from 01/1997	1
4	000-6828	Top hitch plate	1
5	000-6891	Bolt HH M16-2.00x140 C8.8 Z P	1
6	000-5581	Nut PT M16-2.00 C6 Z TK	9
7	003-2687	Bolt HH M16-2.00x40 C8.8 Z F	4
8	000-6578	Bolt HH M16-2.00x45 C8.8 Z F	4
9	003-7349	Bolt HH M14-2.00x45 C8.8 Z F	2
10	003-0358	Nut PT M14-2.00 C6 Z TK	6
11	000-8836	Hitch block; Ver. C & below	2
	005-6525	Hitch block; Ver. D & above	2
12	001-8266	Lynch pin Ø11x45 Z	2
13	000-8785	Wheel yoke	4
14	000-6610	Cotter pin Ø6x46; until 06/1999	4
	000-8783	Pin, wheel yoke; from 07/1999	4
15	000-8528	Spacer, wheel	4
16	000-6615	Bolt HH M14-2.00x140 C8.8 Z P	4
17	010-8761	Wheel arm 48"; C30-RD4	2
	020-8761	Wheel arm 60"; C30-RD5	2
	030-8761	Wheel arm 72"; C30-RD6	2
18	000-1065	Grease fitting M10-1.00	4
19	000-6586	Spacer 1", height adjustment	8
20	000-6587	Spacer ½", height adjustment	4
21	000-6589	Spacer ¼", height adjustment	8
22	002-6185	Bolt HH M10-1.50x90 C8.8 Z P	2
23	003-0157	Washer fender Ø10 Z	10
24	000-2034	Washer flat Ø10 Z	2
25	000-1280	Washer lock Ø10 Z	2
26	000-1279	Nut HH M10-1.50 C6 Z TK	2
27	000-1278	Bolt HH M10-1.50x30 C8.8 Z F	8
28	003-0156	Nut PT M10-1.50 C6 Z TK	8
29	005-6523	Linking plate	2
36	000-8526	Wheel w/hard tire complete	4
	000-6613	Bushing, wheel w/hard tire (not shown)	8
	000-8797	Wheel w/air tire complete	4
	000-6969A	Steel retainer, wheel w/air tire (not shown)	8
	000-6968	Bearing, wheel w/air tire (not shown)	8



Ref.	Part #	Description	Qty.
1	000-8531	Pulley SPB 120x1; C30-RD4	3
	000-8666	Pulley SPB 130x1; C30-RD5	3
	000-8881	Pulley SPB 160x1; C30-RD6	3
2	000-8561	Pulley, belt tensioner	2
3	000-8630	Belt BX 98; C30-RD4	1
	000-8670	Belt BX 112 ½; C30-RD5	1
	000-8950	Belt BX 140; C30-RD6	1
4	005-1740	Spring	1
5	000-8623	Pulley SPB 250x1	1
6	000-8563	Support, belt tensioner; C30-RD4, RD5, RD6 Ver. D (#265513) & below	1
	005-1741	Support, belt tensioner; C30-RD4 Ver. E (#265514) & above	1
	005-1745	Support, belt tensioner; C30-RD5, RD6 Ver. E (#265514) & above	1
7	000-8571	Hitch plate; C30-RD4, RD5, RD6 Ver. D (#265513) & below	1
	000-8571	Hitch plate; C30-RD4 Ver. E (#265514) & above	1
	005-1755	Hitch plate; C30-RD5 Ver. E (#265514) & above	1
	005-1757	Hitch plate; C30-RD6 Ver. E (#265514) & above	1
8	009-1281	Bolt HH M10-1.50x35 C8.8 Z F; Ver. D (#265513) & below	1
	005-1751	Bolt belt tensioner SP M10-1.50; Ver. E (#265514) & above	1
9	003-0157	Washer fender Ø10 Z; Ver. D (#265513) & below	1
	005-1753	Washer flat Ø16 Z; Ver. E (#265514) & above	1
10	003-0156	Nut PT M10-1.50 C6 TK Z	14
11	009-1281	Bolt HH M10-1.50x35 C8.8 Z F	1
12	000-1279	Nut HH M10-1.50 C6 TK Z	1
13	000-8576	Bolt HH M20-2.50x65 C8.8 Z F	1
14	000-5508	Nut HH M20-2.50 C6 Z MD	1
15	004-6555	Washer flat Ø20 Z	4
16	000-5507	Nut PT M20-2.50 C6 TK Z	2
17	000-6698	Nut SP M25-1.50 Z	3
18	002-9036	Grease fitting Ø8, press in	3
19	000-1278	Bolt HH M10-1.50x30 C8.8 Z F	12
20	000-6659	Bolt blade SP M14-1.50x32	3
21	000-8560	Washer conical spring Ø18 Z	3
22	000-6795	Blade standard 48"; C30-RD4	3
	000-6641	Blade standard 60"; C30-RD5	3
	000-6845	Blade standard 72"; C30-RD6	3
	000-6795M	Blade mulching 48"; C30-RD4 (option)	3
	000-6641M	Blade mulching 60"; C30-RD5 (option)	3
	000-6845M	Blade mulching 72"; C30-RD6 (option)	3
	000-6795B	Blade high lift 48"; C30-RD4 (option)	3
	000-6641B	Blade high lift 60"; C30-RD5 (option)	3
	000-6845B	Blade high lift 72"; C30-RD6 (option)	3
	000-6795F	Blade flat 48"; C30-RD4 (option)	3
	000-6641F	Blade flat 60"; C30-RD5 (option)	3
	000-6845F	Blade flat 72"; C30-RD6 (option)	3
	000-6795G	Blade gator 48"; C30-RD4 (option)	3
	000-6641G	Blade gator 60"; C30-RD5 (option)	3
	000-6845G	Blade gator 72"; C30-RD6 (option)	3



Ref.	Part #	Description	Qty.
23	000-8557	Spindle shaft	3
24	000-6639	Key 8x7x25	3
25	000-6636	Cover	3
26	000-6606	Shim Ø25x35x2	3
27	000-6626A	Bearing 6205-ZZ	3
28	000-8538	Support, spindle shaft	3
29	000-8536	Spacer	3
30	000-6634A	Bearing 6205-Z	3
31	000-8533	Spindle assembly	-

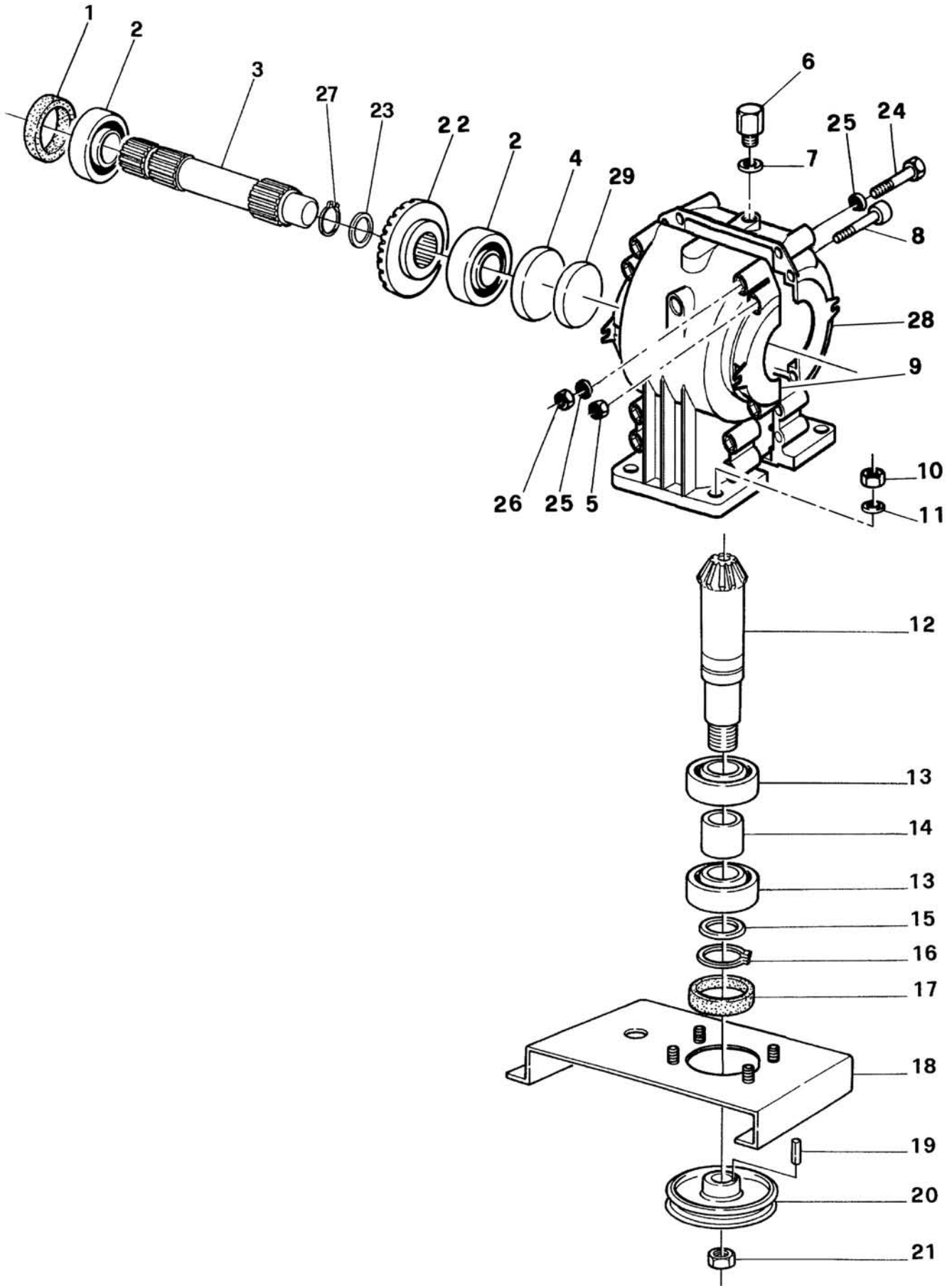


Ref.	Part #	Description	Qty.
1	001-0192	Oil seal 40.68.10	1
2	001-2149A	Bearing 6208	2
3	000-8892	Input shaft	1
4	000-8609	Cap	1
5	000-1806	Nut HH M08-1.25 C6 Z TK	8
6	000-8598	Breather cap; Ver. A & below	1
	001-0177	Breather cap; Ver. B & above	1
7	000-8601	Gasket, breather cap	1
8	001-0171	Bolt SC M08-1.25x50 C8.8 Z P	8
9	330-0101	Housing w/center fill hole, gearbox; Ver. A & below ¹	2
	005-1896	Housing w/fins w/o fill hole, gearbox; Ver. B only	1
	005-6681	Housing w/o fill hole, gearbox; Ver. C & above	1
10	000-3038	Nut HH M12-1.75 C6 Z TK	4
11	000-1077	Washer lock Ø12 Z	4
12	005-0192	Pinion gear	1
13	002-5332A	Bearing 6207	2
14	001-0196	Spacer	1
15	003-4196	Shim Ø35x45x2.5	1
16	004-2122	Snap ring, outer Ø35	1
17	000-2295	Oil seal 35.62.10	1
18	005-1581	Central plate 48"; C30-RD4	1
	005-1583	Central plate 60"; C30-RD5	1
	005-1585	Central plate 72"; C30-RD6	1
19	000-6688	Key 7x8x35	1
20	000-8623	Pulley SPB 250x1	1
21	000-6698	Nut SP M25-1.50 Z	1
22	000-8893	Ring gear	1
24	001-5263	Bolt HH M10-1.50x120 C8.8 Z P	2
25	000-2034	Washer flat Ø10 Z	4
26	003-0156	Nut PT M10-1.50 C6 Z TK	2
27	005-1897	Housing w/fins w/fill hole, gearbox; Ver. B only	1
	005-6682	Housing w/fill hole, gearbox; Ver. C & above	1
28	005-6683	Cap; Ver. C & above	1
	050-0620	Gearbox complete 540 rpm; Ver. A & below ²	-
	050-0654	Gearbox complete 540 rpm; Ver. B only	-
	050-0668	Gearbox complete 540 rpm; Ver. C & above	-

Note: Fill using approx. 20 fl.oz. (0.6 qt.) of SAE 90W gear oil.

¹ Gearbox housing no longer available, both left and right housings #330-0101 need to be replaced with housing part #005-1896, housing part #005-1897 and breather cap part #001-0177.

² Gearbox no longer available should be replaced with gearbox #050-0654.

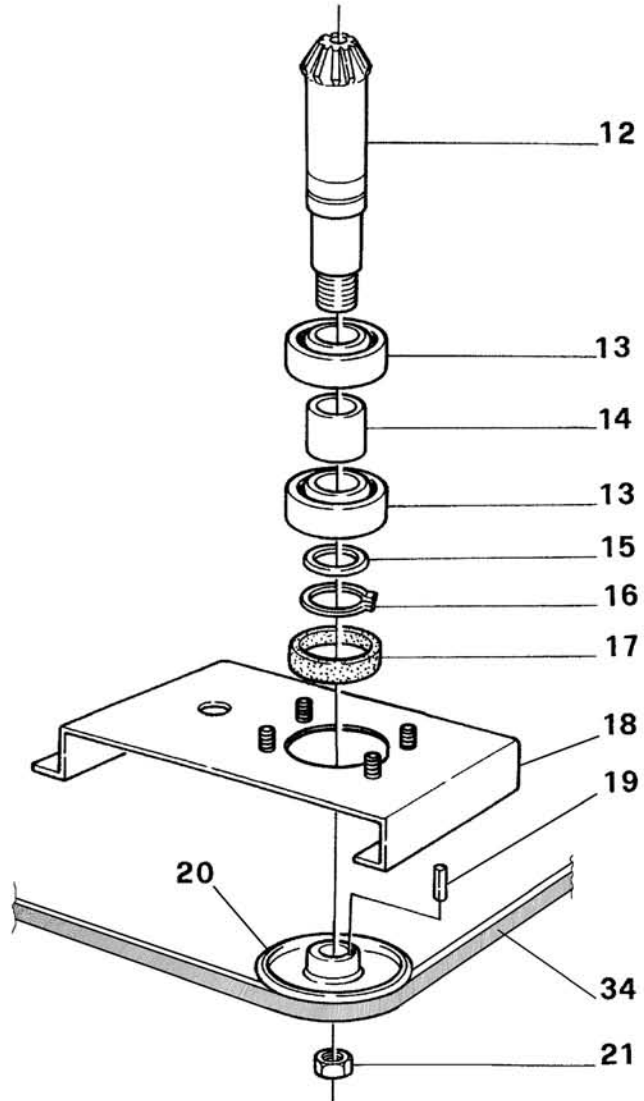
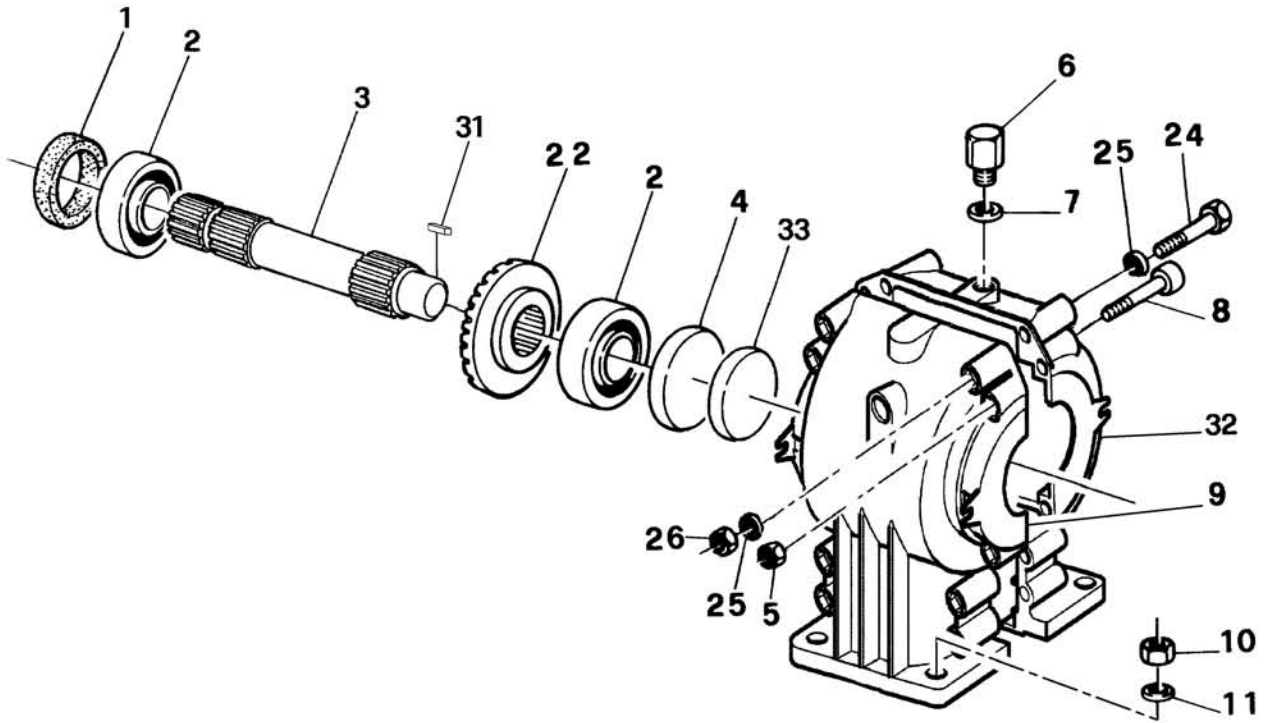


Ref.	Part #	Description	Qty.
1	001-0192	Oil seal 40.68.10	1
2	001-2149A	Bearing 6208	2
3	000-8962	Input shaft	1
4	000-8609	Cap	1
5	000-1806	Nut HH M08-1.25 C6 Z TK	8
6	000-8598	Breather cap; Ver A & below	1
	001-0177	Breather cap; Ver. B & above	1
7	000-8601	Gasket, breather cap	1
8	001-0171	Bolt SC M08-1.25x50 C8.8 Z P	8
9	330-0101	Housing w/center fill hole, gearbox; Ver. A & below ³	2
	005-1896	Housing w/fins w/o fill hole, gearbox; Ver. B only	1
	005-6681	Housing w/o fill hole, gearbox; Ver. C & above	1
10	000-3038	Nut HH M12-1.75 C6 Z TK	4
11	000-1077	Washer lock Ø12 Z	4
12	000-8639	Pinion gear	1
13	002-5332A	Bearing 6207	2
14	001-0196	Spacer	1
15	003-4196	Shim Ø35x45x2.5	1
16	004-2122	Snap ring, outer Ø35	1
17	000-2295	Oil seal 35.62.10	1
18	005-1581	Central plate 48"; C30-RD4	1
	005-1583	Central plate 60"; C30-RD5	1
	005-1585	Central plate 72"; C30-RD6	1
19	000-6688	Key 7x8x35	1
20	000-8623	Pulley SPB 250x1	1
21	000-6698	Nut SP M25-1.50 Z	1
22	000-8963	Ring gear	1
23	005-3240	Shim Ø45x55x2	1
24	001-5263	Bolt HH M10-1.50x120 C8.8 Z P	2
25	000-2034	Washer flat Ø10 Z	4
26	003-0156	Nut PT M10-1.50 C6 Z TK	2
27	001-2028	Snap ring, outer Ø45	1
28	005-1897	Housing w/fins w/fill hole, gearbox; Ver. B only	1
	005-6682	Housing w/fill hole, gearbox; Ver. C & above	1
29	005-6683	Cap; Ver. C & above	1
	050-0629	Gearbox complete 1000 rpm; Ver. A & below ⁴	-
	050-0656	Gearbox complete 1000 rpm; Ver. B only	-
	050-0670	Gearbox complete 1000 rpm; Ver. C & above	-

Note: Fill using approx. 20 fl.oz. (0.6 qt.) of SAE 90W gear oil.

³ Gearbox housing no longer available, both left and right housings #330-0101 need to be replaced with housing part #005-1896, housing part #005-1897 and breather cap part #001-0177.

⁴ Gearbox no longer available should be replaced with gearbox #050-0656.

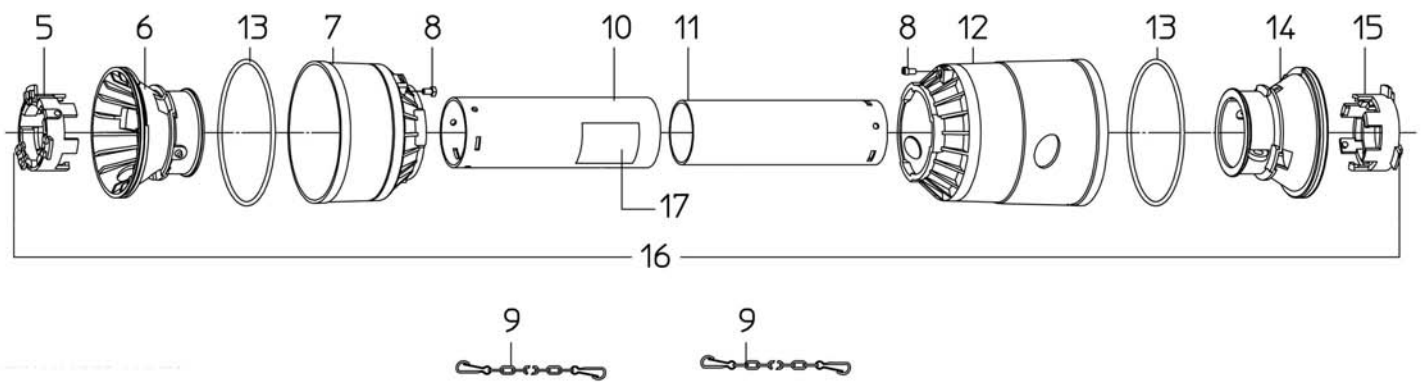
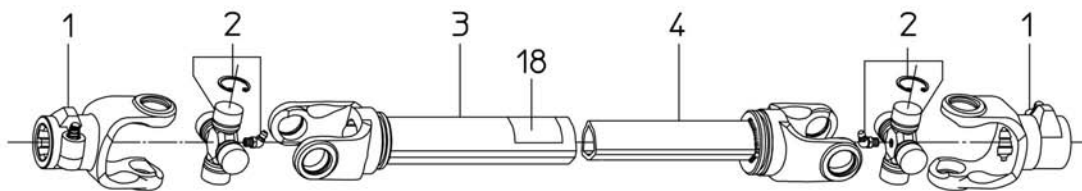


Ref.	Part #	Description	Qty.
1	001-0192	Oil seal 40.68.10	1
2	001-2149A	Bearing 6208	2
3	000-8983	Input shaft	1
4	000-8609	Cap	1
5	000-1806	Nut HH M08-1.25 C6 Z TK	8
6	000-8598	Breather cap; Ver. A & below	1
	001-0177	Breather cap; Ver. B & above	1
7	000-8601	Gasket, breather cap	1
8	001-0171	Bolt SC M08-1.25x50 C8.8 Z P	8
9	330-0101	Housing w/center fill hole, gearbox; Ver. A & below ⁵	2
	005-1896	Housing w/fins w/o fill hole, gearbox; Ver. B only	1
	005-6681	Housing w/o fill hole, gearbox; Ver. C & above	1
10	000-3038	Nut HH M12-1.75 C6 Z TK	4
11	000-1077	Washer lock Ø12 Z	4
12	000-8985	Pinion gear	1
13	002-5332A	Bearing 6207	2
14	001-0196	Spacer	1
15	003-4196	Shim Ø35x45x2.5	1
16	004-2122	Snap ring, outer Ø35	1
17	000-2295	Oil seal 35.62.10	1
18	005-1581	Central plate 48"; C30-RD4	1
	005-1583	Central plate 60"; C30-RD5	1
	005-1585	Central plate 72"; C30-RD6	1
19	000-6688	Key 7x8x35	1
20	000-8990	Pulley SPB 180x1	1
21	000-6698	Nut SP M25-1.50 Z	1
22	000-8984	Ring gear	1
24	001-5263	Bolt HH M10-1.50x120 C8.8 Z P	2
25	000-2034	Washer flat Ø10 Z	4
26	003-0156	Nut PT M10-1.50 C6 Z TK	2
31	000-6639	Key 8x7x25	1
32	005-1897	Housing w/fins w/fill hole, gearbox; Ver. B only	1
	005-6682	Housing w/fill hole, gearbox; Ver. C & above	1
33	005-6683	Cap; Ver. C & above	1
34	000-8718	Belt BX 96 2000 rpm; C30-RD4	1
	000-8719	Belt BX 110 2000 rpm; C30-RD5	1
	000-8720	Belt BX 138 2000 rpm; C30-RD6	1
	050-0631	Gearbox complete 2000 rpm; Ver. A & below ⁶	-
	050-0658	Gearbox complete 2000 rpm; Ver. B only	-
	050-0672	Gearbox complete 2000 rpm; Ver. C & above	-

Note: Fill using approx. 20 fl.oz. (0.6 qt.) of SAE 90W gear oil.

⁵ Gearbox housing no longer available, both left and right housings #330-0101 need to be replaced with housing part #005-1896, housing part #005-1897 and breather cap part #001-0177.

⁶ Gearbox no longer available should be replaced with gearbox #050-0658.

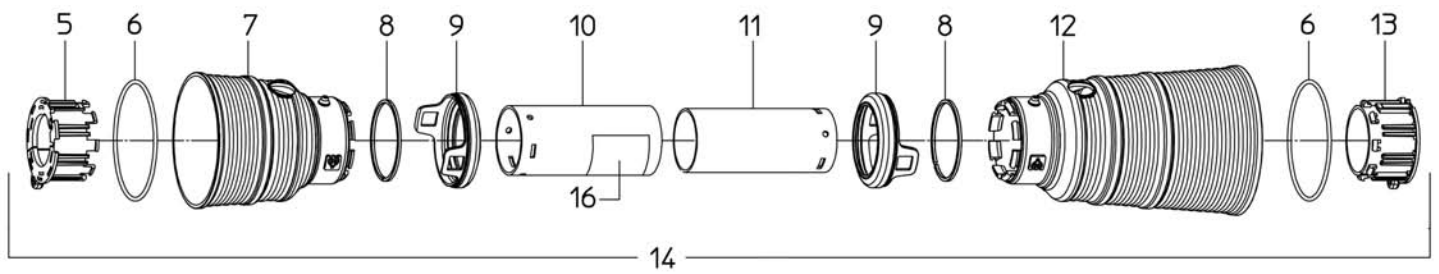
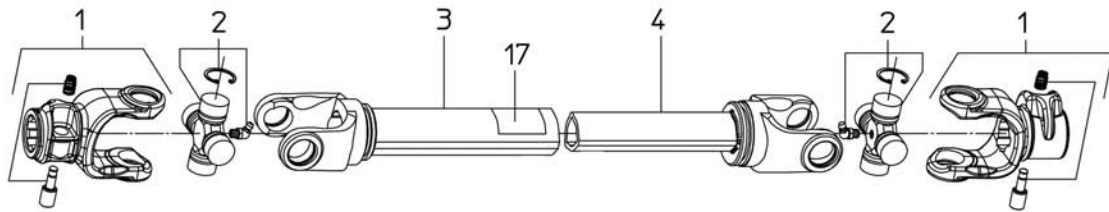


Ref.	Part #	Description	Qty.
1	1022010C	PTO yoke	2
2	1002020C	Cross w/bearing	2
3	1942045NC	Outer tube w/yoke; C30-RD4	1
	1942055NC	Outer tube w/yoke; C30-RD5	1
	1942070NC	Outer tube w/yoke; C30-RD6	1
4	1952047NC	Inner tube w/yoke; C30-RD4	1
	1952057NC	Inner tube w/yoke; C30-RD5	1
	1952072NC	Inner tube w/yoke; C30-RD6	1
5	1782210C	Locking ring, outer tube; #276188 & below	1
6	1784201C	Rigid cone, outer tube; #276188 & below	1
7	1784203C	Standard cone (tractor end); #276188 & below	1
8	1784212C	Pin; #276188 & below	2
9	1006065C	Chain, anti-rotation	2
10	1773043C	Shield, outer tube; C30-RD4	1
	1773053C	Shield, outer tube; C30-RD5	1
	1773068C	Shield, outer tube; C30-RD6	1
11	1872043C	Shield, inner tube; C30-RD4	1
	1872053C	Shield, inner tube; C30-RD5	1
	1872068C	Shield, inner tube; C30-RD6	1
12	1784205C	Long cone (implement end); #276188 & below	1
13	1213233C	Stiffening ring; #276188 & below	2
14	1784202C	Rigid cone, inner tube; #276188 & below	1
15	1782211C	Locking ring, inner tube; #276188 & below	1
16	90SL2043C	Shield, complete; C30-RD4 ⁷	1
	90SL2053C	Shield, complete; C30-RD5 ⁸	1
	90SL2068C	Shield, complete; C30-RD6 ⁹	1
17	950-463B	Decal "DANGER - Rotating driveline, keep away" outer shield	1
18	950-464B	Decal "DANGER - Guard missing, do not operate" outer tube	1
	050-0402	Driveline, complete; C30-RD4	-
	050-0403	Driveline, complete; C30-RD5	-
	050-0404	Driveline, complete; C30-RD6	-

⁷ Complete shielding is interchangeable with part #96SL2043C.

⁸ Complete shielding is interchangeable with part #96SL2053C.

⁹ Complete shielding is interchangeable with part #96SL2068C.



C30-RD4, C30-RD5, C30-RD6 FROM #276189 TO #286013

Ref.	Part #	Description	Qty.
1	1022010C	PTO yoke ¹⁰	2
2	1002020C	Cross w/bearing ¹¹	2
3	1942045NC	Outer tube w/yoke; C30-RD4 ¹²	1
	1942055NC	Outer tube w/yoke; C30-RD5 ¹³	1
	1942070NC	Outer tube w/yoke; C30-RD6 ¹⁴	1
4	1952047NC	Inner tube w/yoke; C30-RD4 ¹⁵	1
	1952057NC	Inner tube w/yoke; C30-RD5 ¹⁶	1
	1952072NC	Inner tube w/yoke; C30-RD6 ¹⁷	1
5	1782710C	Locking ring, outer tube; from #276189 to #286013	1
6	1211733C	Stiffening ring; from #276189 to #286013	2
7	1781703C	Standard cone (tractor end); from #276189 to #286013	1
8	1211735C	Safety ring; from #276189 to #286013	2
9	1881709C	Safety sleeve; from #276189 to #286013	2
10	1773043C	Shield, outer tube; C30-RD4 #286013 & below	1
	1773053C	Shield, outer tube; C30-RD5 #286013 & below	1
	1773068C	Shield, outer tube; C30-RD6 #286013 & below	1
11	1872043C	Shield, inner tube; C30-RD4 #286013 & below	1
	1872053C	Shield, inner tube; C30-RD5 #286013 & below	1
	1872068C	Shield, inner tube; C30-RD6 #286013 & below	1
12	1781704C	Long cone (implement end); from #276189 to #286013	1
13	1782711C	Locking ring, inner tube; from #276189 to #286013	1
14	96SL2043C	Shield, complete; C30-RD4 ¹⁸	1
	96SL2053C	Shield, complete; C30-RD5 ¹⁹	1
	96SL2068C	Shield, complete; C30-RD6 ²⁰	1
15	1006065C	Chain, anti-rotation ²¹	2
16	950-463B	Decal "DANGER - Rotating driveline, keep away" outer shield	1
17	950-464B	Decal "DANGER - Guard missing, do not operate" outer tube	1
	050-0402	Driveline, complete; C30-RD4 ²²	-
	050-0403	Driveline, complete; C30-RD5 ²³	-
	050-0404	Driveline, complete; C30-RD6 ²⁴	-

¹⁰ Yoke interchangeable with part #1002138A.

¹¹ Cross w/bearing interchangeable with part #1802010A.

¹² Outer tube w/yoke interchangeable with part #Z020512A.

¹³ Outer tube w/yoke interchangeable with part #Z020612A.

¹⁴ Outer tube w/yoke interchangeable with part #Z020762A.

¹⁵ Inner tube w/yoke interchangeable with part #Z120512A.

¹⁶ Inner tube w/yoke interchangeable with part #Z120612A.

¹⁷ Inner tube w/yoke interchangeable with part #Z120762A.

¹⁸ Complete shield interchangeable with part #P62064SLA.

¹⁹ Complete shield interchangeable with part #P62074SLA.

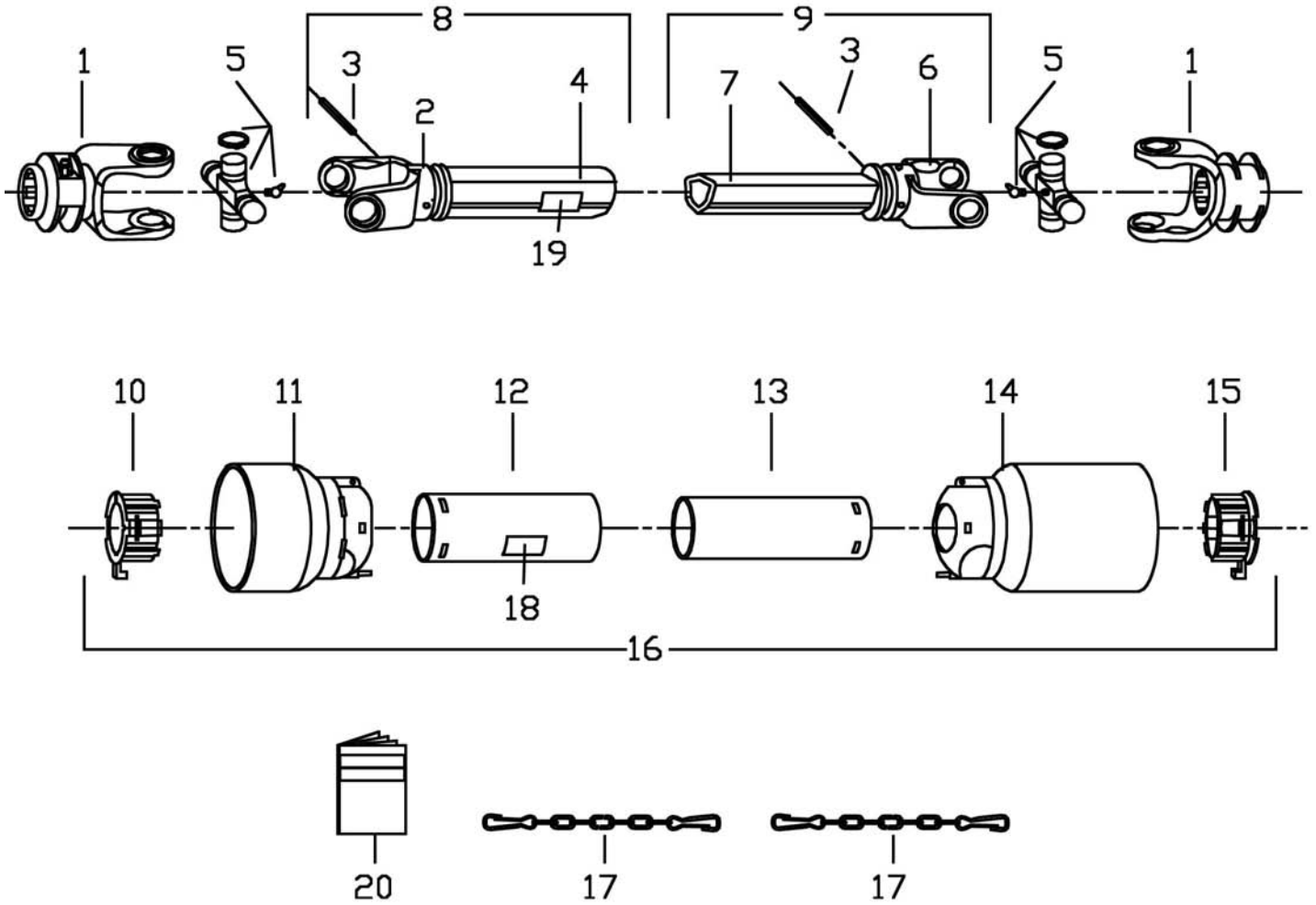
²⁰ Complete shield interchangeable with part #P62089SLA.

²¹ Chain interchangeable with part #5990030A.

²² Complete driveline interchangeable with part #050-0100.

²³ Complete driveline interchangeable with part #050-0101.

²⁴ Complete driveline interchangeable with part #050-0102.



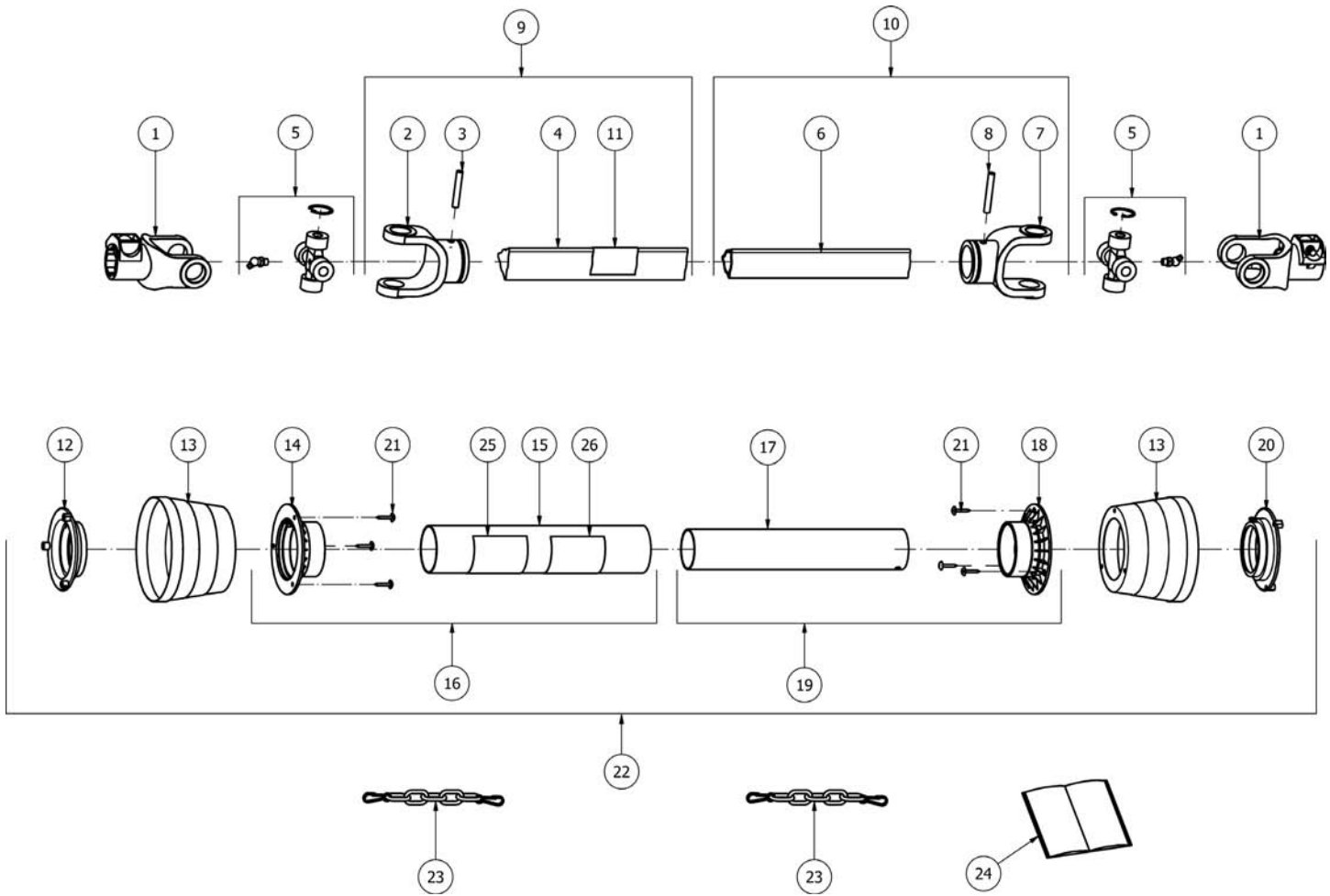
C30-RD4, C30-RD5, C30-RD6; FROM #286014 TO #320235

Ref.	Part #	Description	Qty.
1	1002138A	PTO yoke	2
2	1902010A	Yoke, outer tube; #286014 & above	1
3	000-8679	Roll pin Ø8x55; #286014 & above	2
4	3020512A	Outer tube; C30-RD4 #286014 & above	1
	3020612A	Outer tube; C30-RD5 #286014 & above	1
	3020762A	Outer tube; C30-RD6 #286014 & above	1
5	1802010A	Cross w/bearing	2
6	1902012A	Yoke, inner tube; #286014 & above	1
7	3120512A	Inner tube; C30-RD4 #286014 & above	1
	3120612A	Inner tube; C30-RD5 #286014 & above	1
	3120762A	Inner tube; C30-RD6 #286014 & above	1
8	Z020512A	Outer tube w/yoke, complete; C30-RD4	1
	Z020612A	Outer tube w/yoke, complete; C30-RD5	1
	Z020762A	Outer tube w/yoke, complete; C30-RD6	1
9	Z120512A	Inner tube w/yoke, complete; C30-RD4	1
	Z120612A	Inner tube w/yoke, complete; C30-RD5	1
	Z120762A	Inner tube w/yoke, complete; C30-RD6	1
10	6002010A	Locking ring, outer tube; from #286014 to #320235	1
11	6014010A	Standard cone (tractor end); from #286014 to #320235	1
12	5820452EA	Shield, outer tube; C30-RD4 from #286014 to #320235	1
	5820552EA	Shield, outer tube; C30-RD5 from #286014 to #320235	1
	5820702EA	Shield, outer tube; C30-RD6 from #286014 to #320235	1
13	5820452IA	Shield, inner tube; C30-RD4 from #286014 to #320235	1
	5820552IA	Shield, inner tube; C30-RD5 from #286014 to #320235	1
	5820702IA	Shield, inner tube; C30-RD6 from #286014 to #320235	1
14	6014025A	Long cone (implement end); from #286014 to #320235	1
15	6002012A	Locking ring, inner tube; from #286014 to #320235	1
16	P62064SLA	Shield, complete; C30-RD4	1
	P62074SLA	Shield, complete; C30-RD5	1
	P62089SLA	Shield, complete; C30-RD6	1
17	5990030A	Chain, anti-rotation	2
18	950-463B	Decal "DANGER - Rotating driveline, keep away", outer shield	1
19	950-464B	Decal "DANGER - Guard missing, do not operate", outer tube	1
20	8907070A	Operator's manual, driveline AMA	1
	050-0100	Driveline, complete; C30-RD4 ²⁵	-
	050-0101	Driveline, complete; C30-RD5 ²⁶	-
	050-0102	Driveline, complete; C30-RD6 ²⁷	-

²⁵ Complete driveline 050-0100 is interchangeable with 050-0110 only if shaft protection 000-8663 is also ordered.

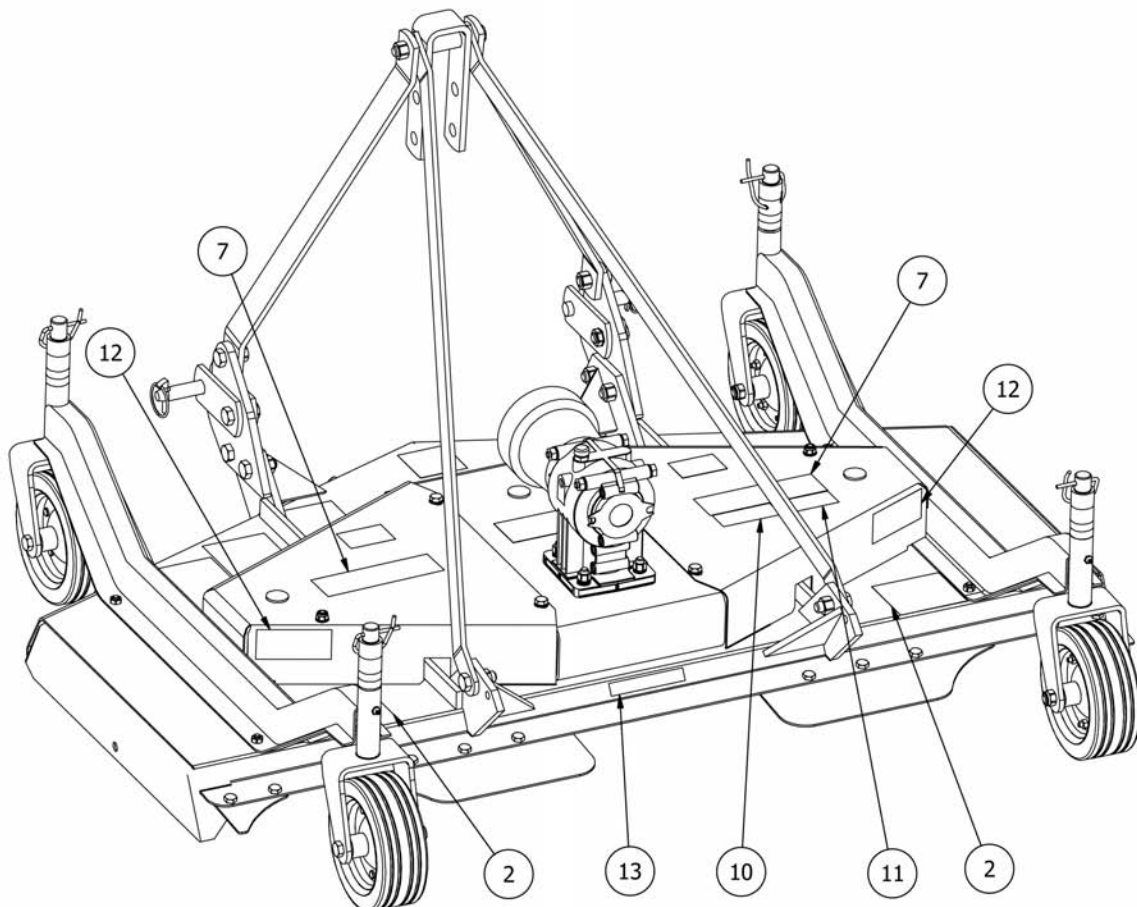
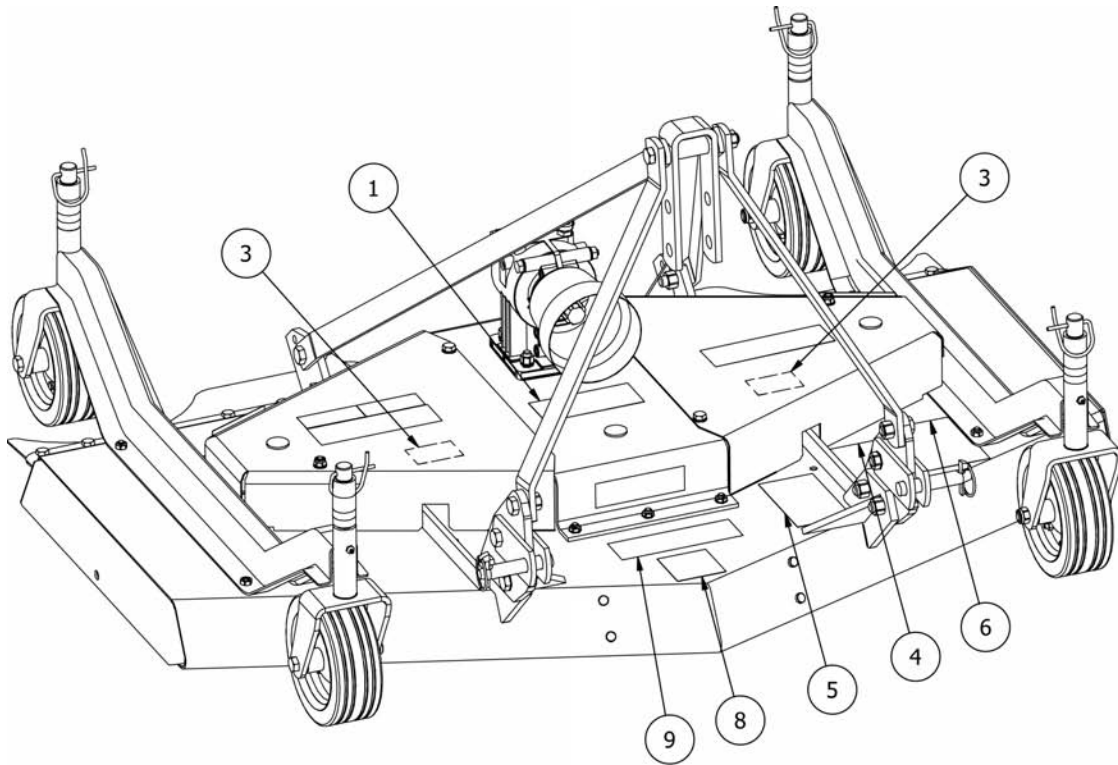
²⁶ Complete driveline 050-0101 is interchangeable with 050-0111 only if shaft protection 000-8663 is also ordered.

²⁷ Complete driveline 050-0102 is interchangeable with 050-0112 only if shaft protection 000-8663 is also ordered.

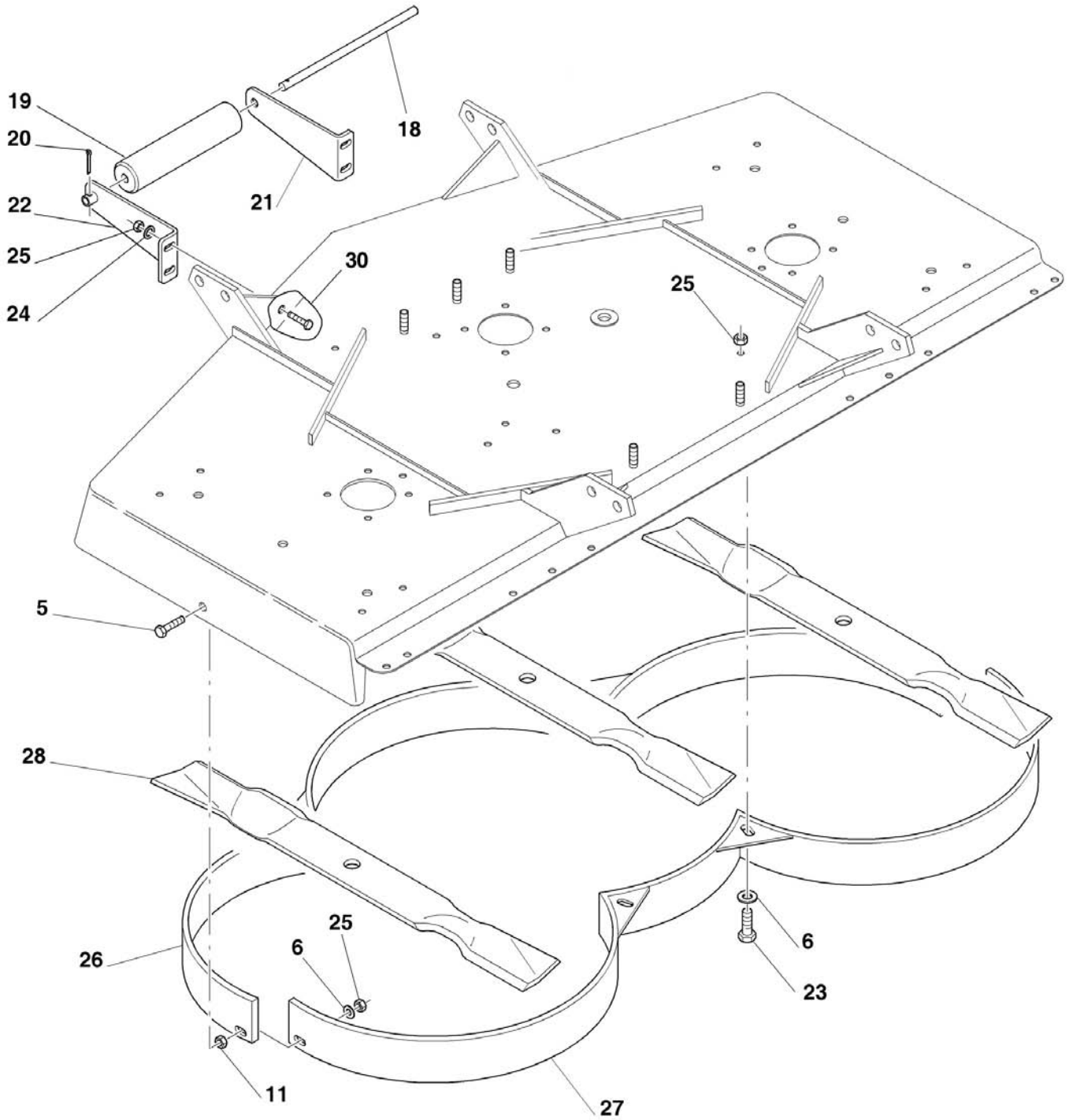


C30-RD4, C30-RD5, C30-RD6; SERIAL #320236 & ABOVE

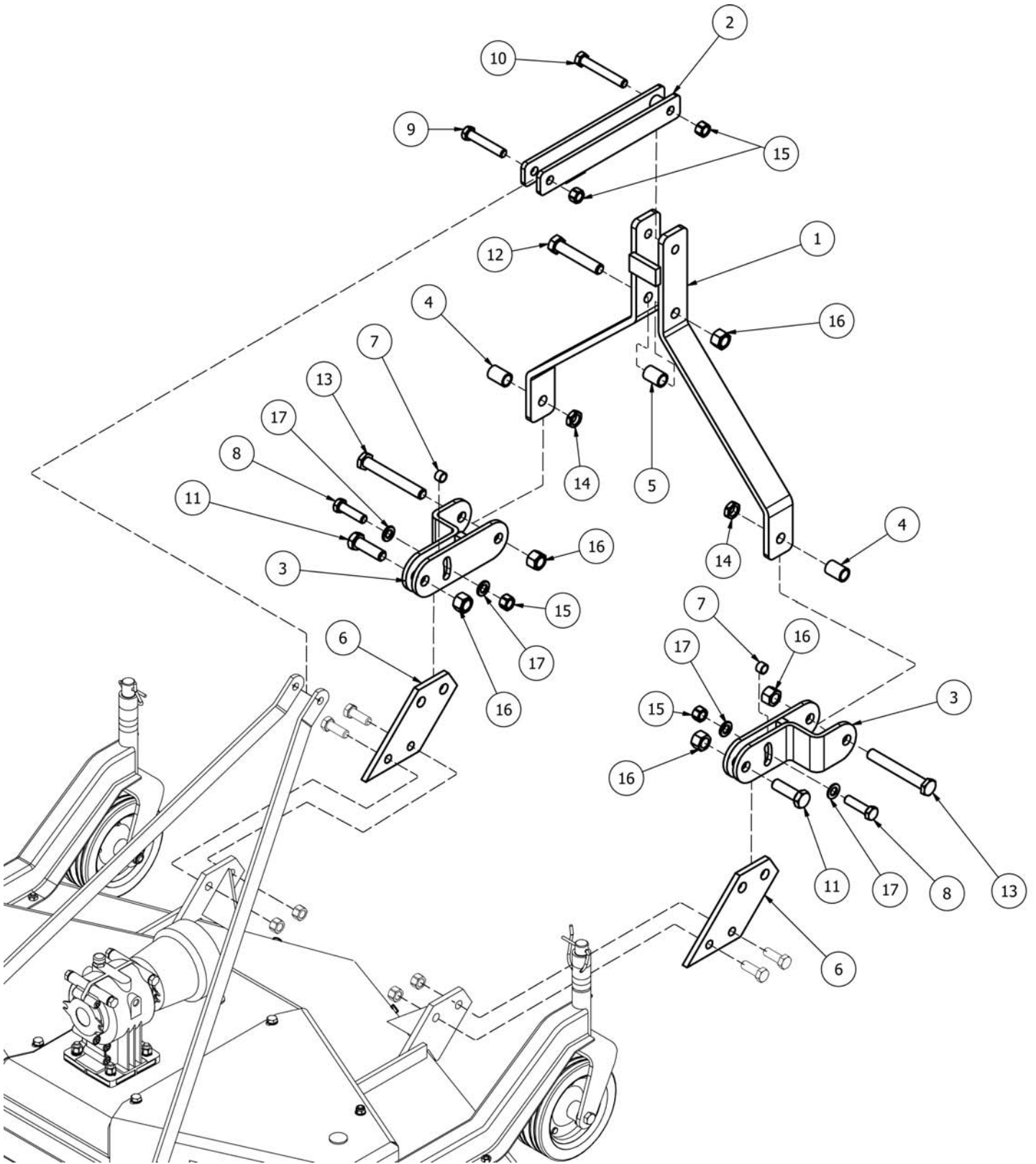
Ref.	Part #	Description	Qty.
1	0800203B	PTO yoke	2
2	08002021B	Yoke, outer tube	1
3	000-8679	Roll pin Ø8x55	1
4	1363052AB	Outer tube; C30-RD4	1
	1363062AB	Outer tube; C30-RD5	1
	1363077AB	Outer tube; C30-RD6	1
5	08202B	Cross w/bearing	2
6	1294052AB	Inner tube; C30-RD4	1
	1294062AB	Inner tube; C30-RD5	1
	1294077AB	Inner tube; C30-RD6	1
7	08002011B	Yoke, inner tube	1
8	002-6342	Roll pin Ø8x50	1
9	1B020642B	Outer tube w/yoke, complete; C30-RD4	1
	1B020742B	Outer tube w/yoke, complete; C30-RD5	1
	1B020892B	Outer tube w/yoke, complete; C30-RD6	1
10	1B020641B	Inner tube w/yoke, complete; C30-RD4	1
	1B020741B	Inner tube w/yoke, complete; C30-RD5	1
	1B020891B	Inner tube w/yoke, complete; C30-RD6	1
11	950-464B	Decal "DANGER - Guard missing, do not operate", outer tube	1
12	5502C001B	Locking ring, outer tube; #320236 & above	1
13	1902C001B	Standard cone; #320236 & above	2
14	5402C001B	Rigid cone, outer tube; #320236 & above	1
15	961NB064B	Shield, outer tube; C30-RD4 #320236 & above	1
	961NB074B	Shield, outer tube; C30-RD5 #320236 & above	1
	961NB089B	Shield, outer tube; C30-RD6 #320236 & above	1
16	4B020642B	Shield, outer tube w/cone; C30-RD4 #320236 & above	1
	4B020742B	Shield, outer tube w/cone; C30-RD5 #320236 & above	1
	4B020892B	Shield, outer tube w/cone; C30-RD6 #320236 & above	1
17	955NB064B	Shield, inner tube; C30-RD4 #320236 & above	1
	955NB074B	Shield, inner tube; C30-RD5 #320236 & above	1
	955NB089B	Shield, inner tube; C30-RD6 #320236 & above	1
18	5402C002B	Rigid cone, inner tube; #320236 & above	1
19	4B020641B	Shield, inner tube w/cone; C30-RD4 #320236 & above	1
	4B020741B	Shield, inner tube w/cone; C30-RD5 #320236 & above	1
	4B020891B	Shield, inner tube w/cone; C30-RD6 #320236 & above	1
20	5502C002B	Locking ring, inner tube; #320236 & above	1
21	98052242B	Self tapping screw PN M4.8x22 Z	6
22	3CE02064B	Shield, complete; C30-RD4 #320236 & above	1
	3CE02074B	Shield, complete; C30-RD5 #320236 & above	1
	3CE02089B	Shield, complete; C30-RD6 #320236 & above	1
23	52000001B	Chain, anti-rotation	2
24	09872101B	Operator's manual, driveline Binacchi	1
25	09872010B	Decal "rotating driveline" pictorial - ISO standard, outer shield	1
26	950-463B	Decal "DANGER - Rotating driveline, keep away", outer shield	1
	050-0110	Driveline, complete; C30-RD4 #320236 & above	-
	050-0111	Driveline, complete; C30-RD5 #320236 & above	-
	050-0112	Driveline, complete; C30-RD6 #320236 & above	-



Ref.	Part #	Description	Qty.
1	950-109B	Decal "DANGER - Avoid injury from PTO"	1
2	950-818B	Decal "DANGER - Rotating blades; Thrown objects"	2
3	950-213B	Decal "DANGER - Replace shields", placed under belt shields	2
4	950-406B	Decal "WARNING - Falling off"	1
5	950-407B	Decal "WARNING - Crushing and pinching hazard"	1
6	950-111B	Decal "CAUTION - To avoid serious injury"	1
7	950-106B	Decal "BEFCO" SM; C30-RD4	2
	950-107B	Decal "BEFCO" MD; C30-RD5, C30-RD6	2
8	950-226B	Decal "B" SM	1
9	950-298B	Decal "Cyclone"	1
10	950-234B	Decal "C30"	1
11	950-249B	Decal "RD4"	1
	950-250B	Decal "RD5"	1
	950-251B	Decal "RD6"	1
12	950-366B	Decal, red reflective	2
13	950-358B	Decal "Made in USA"	1
	971-173B	Operator's Manual "Cyclone C30"	1
	972-173B	Parts Manual "Cyclone C30"	1



Ref.	Part #	Description	Qty.
5	009-1281	Bolt HH M10-1.50x35 C8.8 Z F	2
6	003-0157	Washer fender Ø10 Z	-
11	000-3038	Nut HH M12-1.75 C6 Z TK	6
18	000-8929	Roller pin	1
19	006-7358	Front roller 3"	1
20	011-2087	Cotter pin Ø4x50 Z	1
21	000-8923	Roller support, right	1
22	020-8924	Roller support, left	1
23	000-6349	Bolt HH M10-1.50x20 C8.8 Z F	-
24	000-2034	Washer flat Ø10 Z	4
25	003-0156	Nut PT M10-1.50 C6 Z TK	-
26	000-8755	Baffling, front 48"; C30-RD4	1
	011-5824	Baffling, front 60"; C30-RD5	1
	000-8759	Baffling, front 72"; C30-RD6	1
27	000-8756	Baffling, rear 48"; C30-RD4	1
	011-5825	Baffling, rear 60"; C30-RD5	1
	000-8760	Baffling, rear 72"; C30-RD6	1
28	000-6795M	Mulching blade 48"; C30-RD4	3
	000-6641M	Mulching blade 60"; C30-RD5	3
	000-6845M	Mulching blade 72"; C30-RD6	3
30	003-3176	Bolt HH M10-1.50x25 C8.8 Z F	4
	001-600	Front roller, complete	-
	004-600	Mulching kit 48", complete; C30-RD4	-
	005-600	Mulching kit 60", complete; C30-RD5	-
	006-600	Mulching kit 72", complete; C30-RD6	-



Ref.	Part #	Description	Qty.
1	503-753B	A frame support	1
2	503-754B	Floating top link	1
3	005-1941	Floating yoke	2
4	503-755B	Spacer 1-3/8"	2
5	503-756B	Spacer 1-1/8"	1
6	005-1817	Linking plate	2
7	503-757B	Bushing	2
8	000-6577	Bolt HH M16-2.00x60 C8.8 Z P	2
9	000-8029	Bolt HH M16-2.00x90 C8.8 Z P	1
10	007-0346	Bolt HH M16-2.00x110 C8.8 Z P	1
11	000-8576	Bolt HH M20-2.50x65 C8.8 Z F	2
12	005-1953	Bolt HH M20-2.50x110 C8.8 Z P	1
13	005-1954	Bolt HH M20-2.50x140 C8.8 Z P	2
14	001-5686	Nut HH M20-2.50 C6 Z TN	2
15	000-5581	Nut PT M16-2.00 C6 Z TK	4
16	000-5507	Nut PT M20-2.50 C6 TK Z	5
17	000-8568	Washer flat Ø16 W	4
	001-700	Quick-Hitch Adapter, complete (field conversion kit)	1
	971-213B	Operator's and parts manual, quick-hitch adapter	1

Use only original spare parts

All rights reserved. It is unlawful to copy, reprint or use any of the information or details in this manual without the expressed written permission of the Company. Technical information provided in this manual is approximate, the Company reserves the right to modify or improve the models shown for technical or commercial purposes. Pictures in this manual do not necessarily show the machine as delivered.

BEFCO[®]

P.O. Box 6036
Rocky Mount, NC 27802-6036
Tel.: 252.977.9920 - Fax: 252.977.9718
www.befco.com

